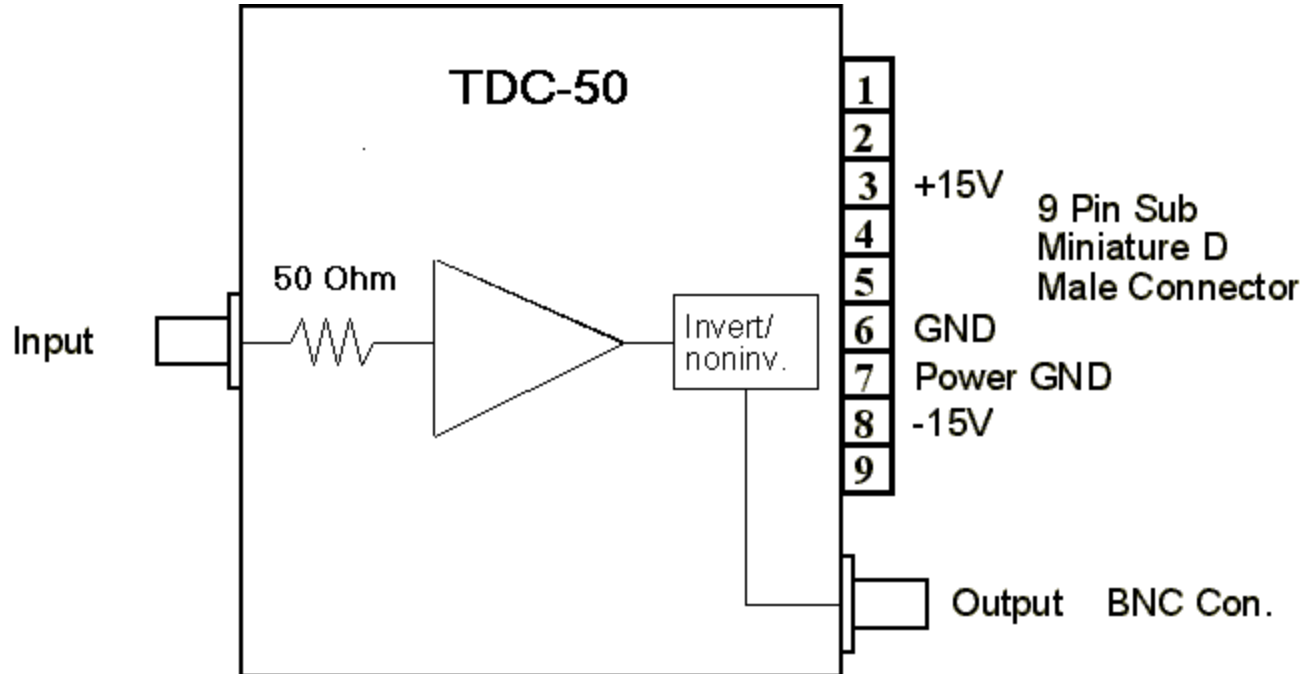




ADVANCED
RESEARCH INSTRUMENTS
CORPORATION



DC to 50 MHz Transimpedance Amplifier

The TDC-50 is FET based. A low noise transimpedance amplifier featuring only 400 nAp-p full bandwidth input equivalent noise and 100dB gain. [1V/1 μ A]

The output amplitude is ± 4 V maximum when un-terminated and ± 2 V maximum when terminated with 50 Ω impedance (recommended).

All ARI Amplifiers typically require a power supply and cabling. Recommended power supply is the ARI Model F-100PS Low Noise (± 15 V) Power Supply.

[The above specified gain is valid for a 50 Ω load.]